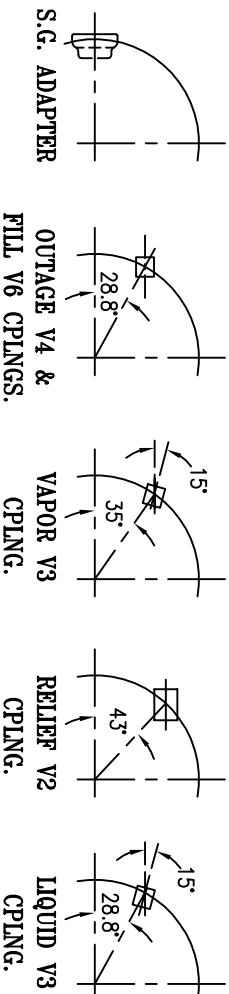
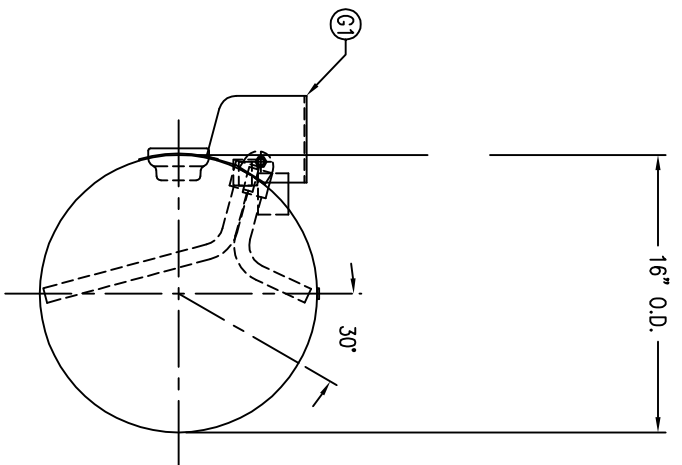
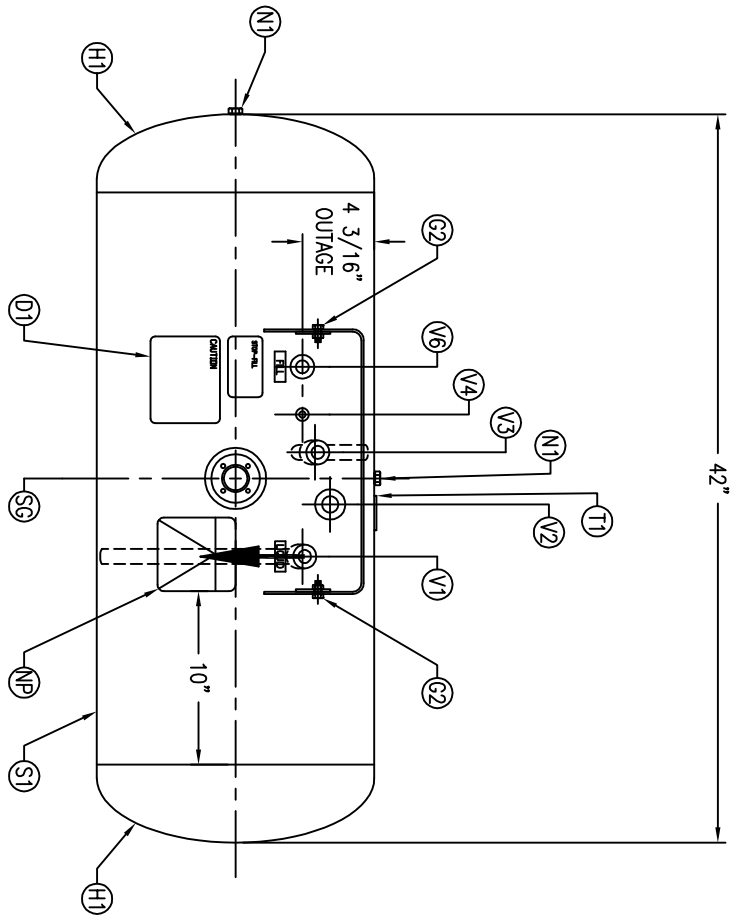


CODE/ADDENDA APPROVED
 RELEASED FOR PRODUCTION
 Q.C. _____ DATE _____



SYM	DATE	BY	REVISION	APP	NOTES

SPECIFICATIONS	
O.D. 16	LGTH. 42
MAMP 312	PSI @ 650 °F
CRN MA582.5C	GAL. 32.9
WELD DETAILS: M-1932	WT. 106#
STD. TOLERANCES (UNLESS OTHERWISE NOTED): M-2461	CODE: ASME SEC. VIII DIV. 1, LATEST EDITION & ADDENDA

MOTORFUEL TANK

MANCHESTER

H:\2000\

DRAWN BY	DATE	SCALE: NONE
APP. BY	DATE	DRAWING NO. 23467