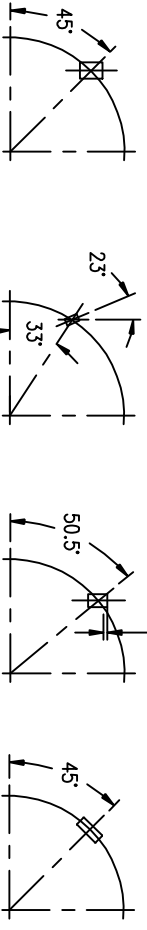
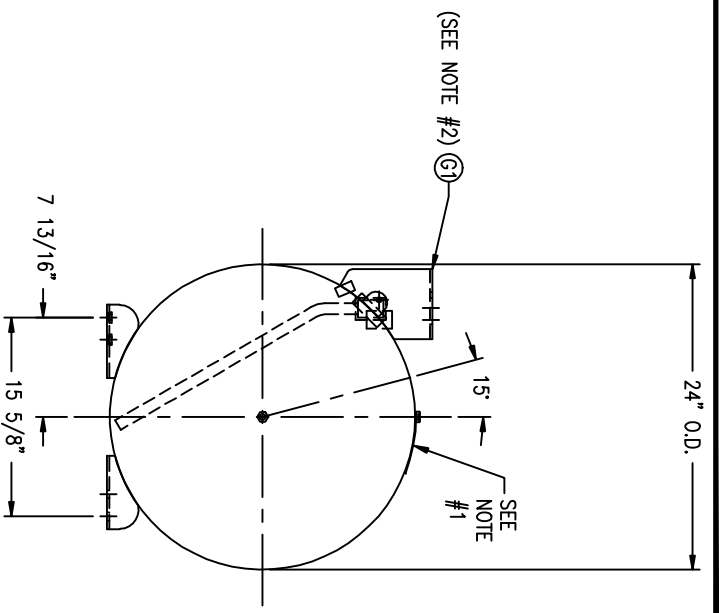
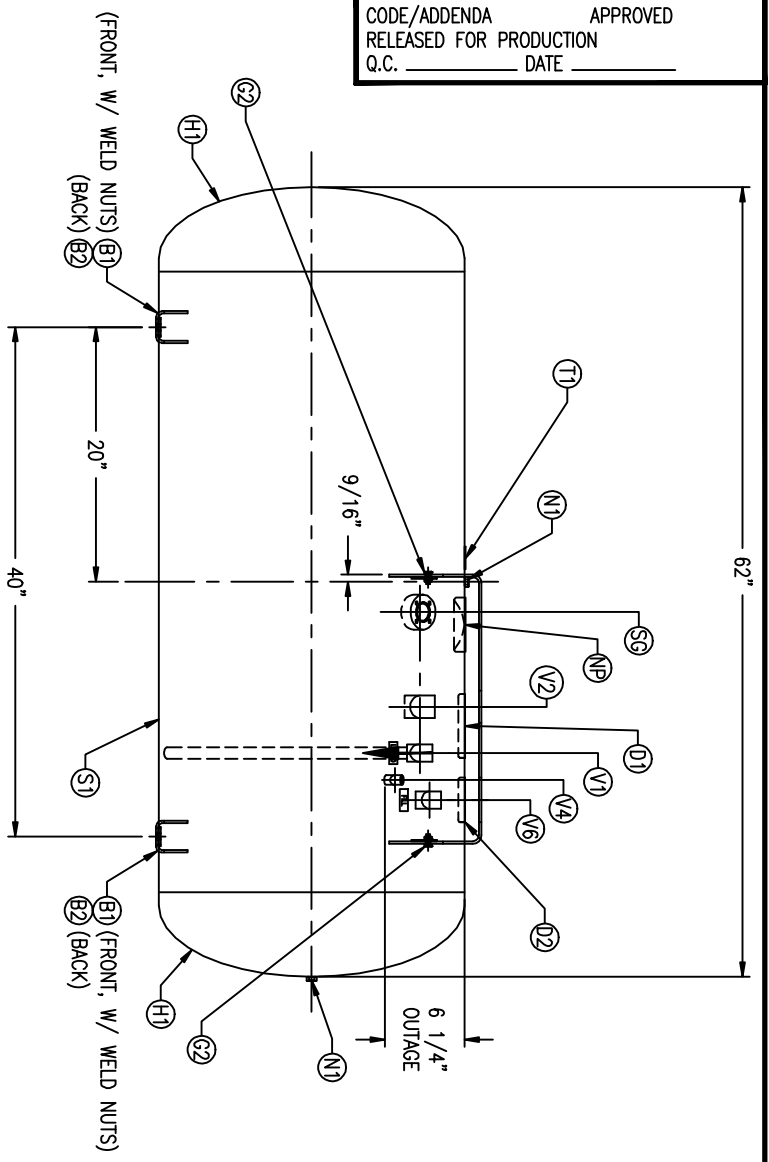


CODE/ADDENDA APPROVED  
 RELEASED FOR PRODUCTION  
 Q.C. \_\_\_\_\_ DATE \_\_\_\_\_



LIQ. V1 & RELIEF V2 CPLNGS.  
 OUTAGE V4 CPLNG  
 FILL V6 CPLNG  
 S.G. ADAPT.

| SYM | DATE | BY | REVISION | APP | XREF | REV | NOTES   |
|-----|------|----|----------|-----|------|-----|---|
|     |      |    |          |     |      |     | 1. NAMEPLATE TO BE READ FROM BACKSIDE OF TANK.<br>2. ENSURE THAT THE 2 1/2" DIA. HOLE IN THE GUARD IS CONCENTRIC WITH THE RELIEF VALVE. |

SPECIFICATIONS

|  |              |                              |
|--|--------------|------------------------------|
| O.D. 24  | LGTH. 62     | CAL. 109.3                   |
| MAMP 312   | PSI @ 650 °F | WT. 322#                     |
| GRN L7259.5                                      |              | CORR ALW — SH — HD           |
| WELD DETAILS: M-1932                             |              | CODE: ASME SEC. VIII DIV. 1, |
| STD. TOLERANCES (UNLESS OTHERWISE NOTED): M-2461 |              | LATEST EDITION & ADDENDA     |



|          |  |      |  |                   |  |
|----------|--|------|--|-------------------|--|
| DRAWN BY |  | DATE |  | SCALE: NONE       |  |
| APP. BY  |  | DATE |  | DRAWING NO. 20597 |  |

MOTORFUEL TANK

HA 2000\