

CODE/ADDENDA APPROVED  
 RELEASED FOR PRODUCTION  
 Q.C. \_\_\_\_\_ DATE \_\_\_\_\_

FIND NO.	NPT SIZE
F1	1/2
F2	1 1/2
F3	3/4
F4	1/4

S/NL	DATE	BY	REVISION

APP	XREF	REV

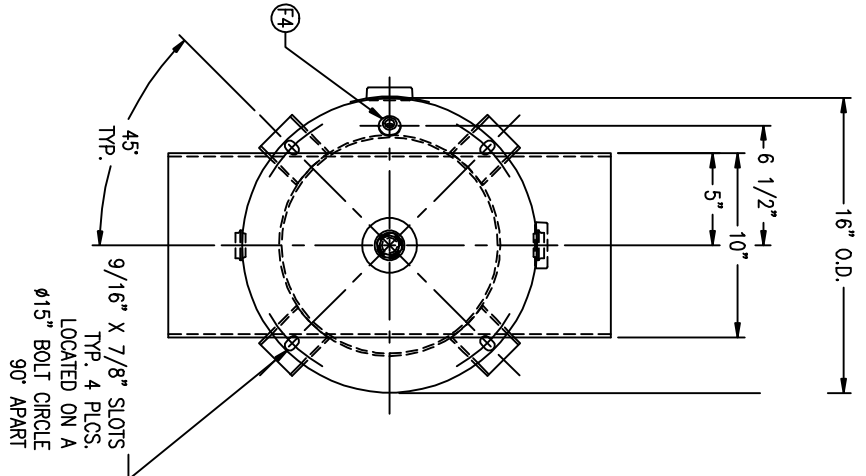
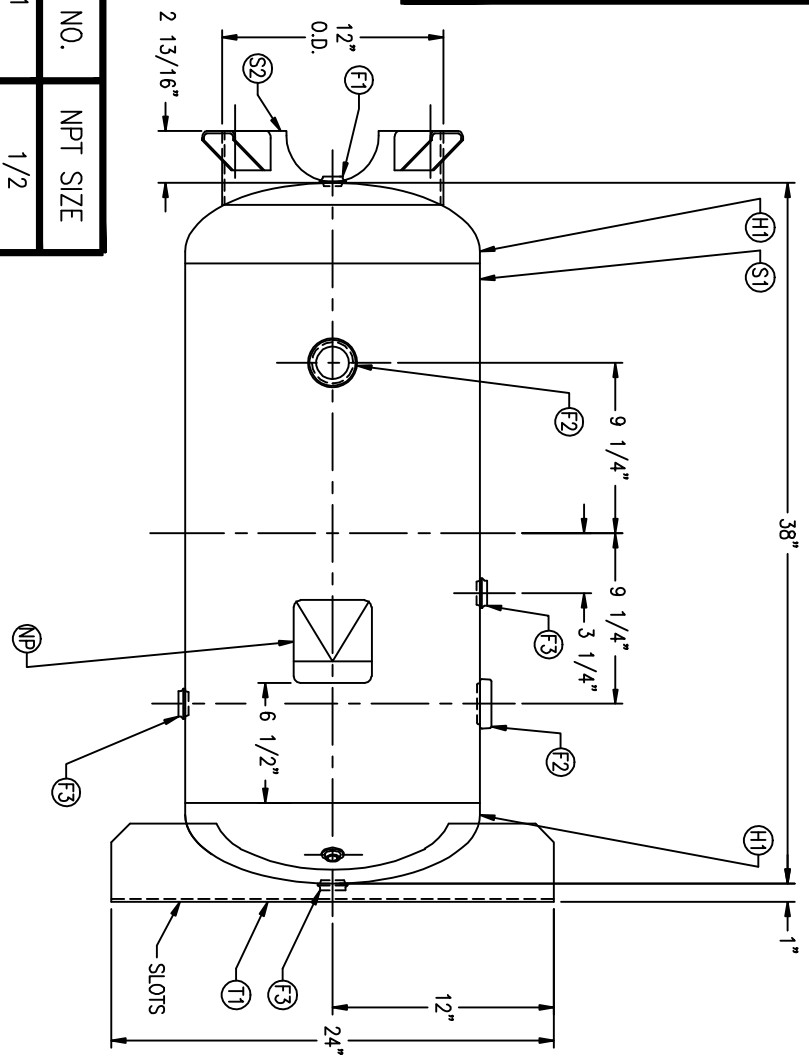
NOTES

SPECIFICATIONS

O.D. 16 LGTH. 38  
 MAMP 200 PSI @ 650 °F  
 GRN F2151.1C  
 WELD DETAILS: M-1932  
 STD. TOLERANCES (UNLESS OTHERWISE NOTED): M-2461

GAL 30 S.A.14.1  
 WT. 107# CU.FT. 4.0  
 CODE: ASME SEC. VIII DIV. 1  
 LATEST EDITION & ADDENDA

**MANHARTNER**  
 \CORP2\DWG\302  
**VERTICAL AIR RECEIVER**  
 DRAWN BY \_\_\_\_\_ DATE \_\_\_\_\_ SCALE: NONE  
 APP. BY \_\_\_\_\_ DATE \_\_\_\_\_ DRAWING NO. 302408



9/16" X 7/8" SLOTS  
 TYP. 4 PLGS.  
 LOCATED ON A  
 Ø15" BOLT CIRCLE  
 90° APART