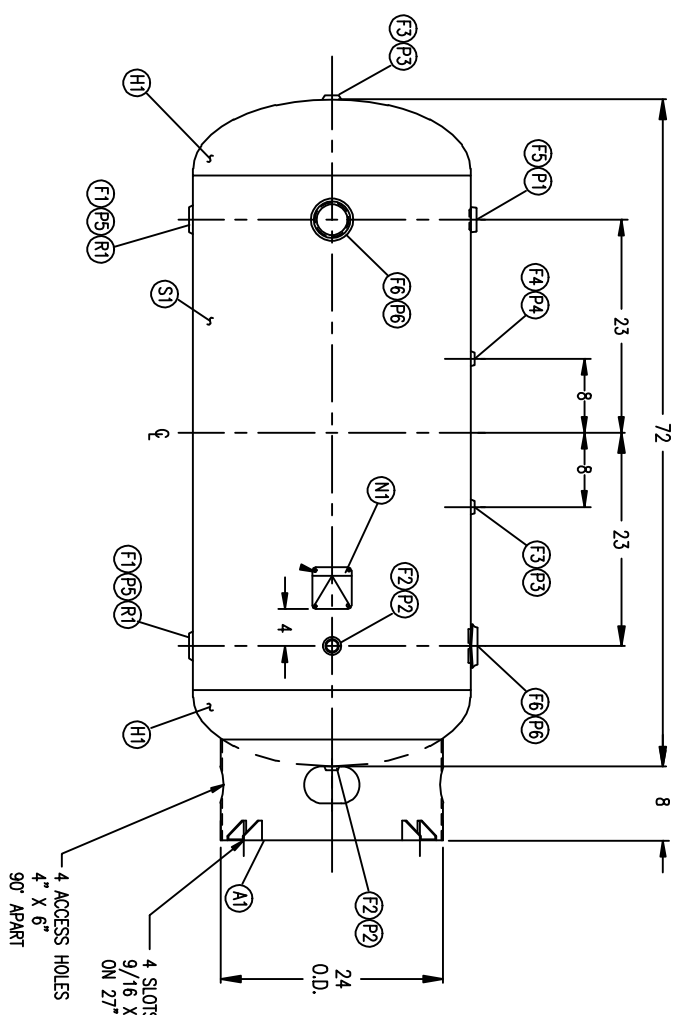
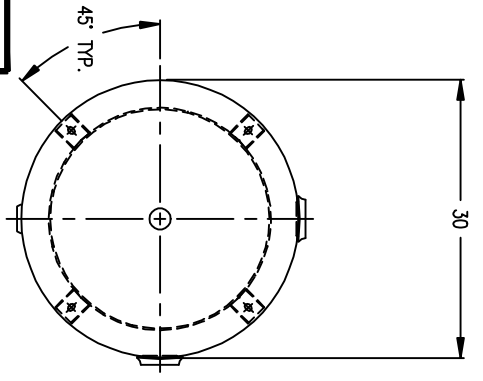


CODE/ADDENDA _____ APPROVED _____
 RELEASED FOR PRODUCTION _____
 Q.C. _____ DATE _____



FIND NO.	NPT SIZE
F1	2
F2	1
F3	1/2
F4	1/4
F5	1 1/2
F6	3

SYML	DATE	BY	REVISION

APP

NOTES

SPECIFICATIONS

O.D.: 30 LGTH: 72
 MAMP: 200 PSI @ 400° F

CRN# F0628.1C

GAL: 200 SA: 51 ft²
 WT: 525 # CU.FT: 27

CODE: ASME / NB
 PER DATE OF DWG/LAST REV

WELD DETAILS M-1932
 STD. TOLERANCES (UNLESS OTHERWISE NOTED) M-2461



VERTICAL AIR RECEIVER
 200 GALLON

REF 273007200236
 3240

DRAWN BY	DATE	SCALE: NONE
APP. BY	DATE	DRAWING NO. 302426