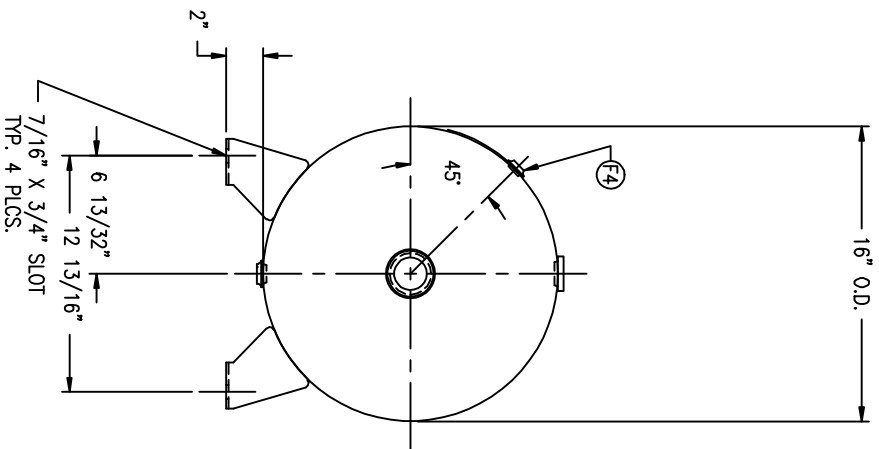
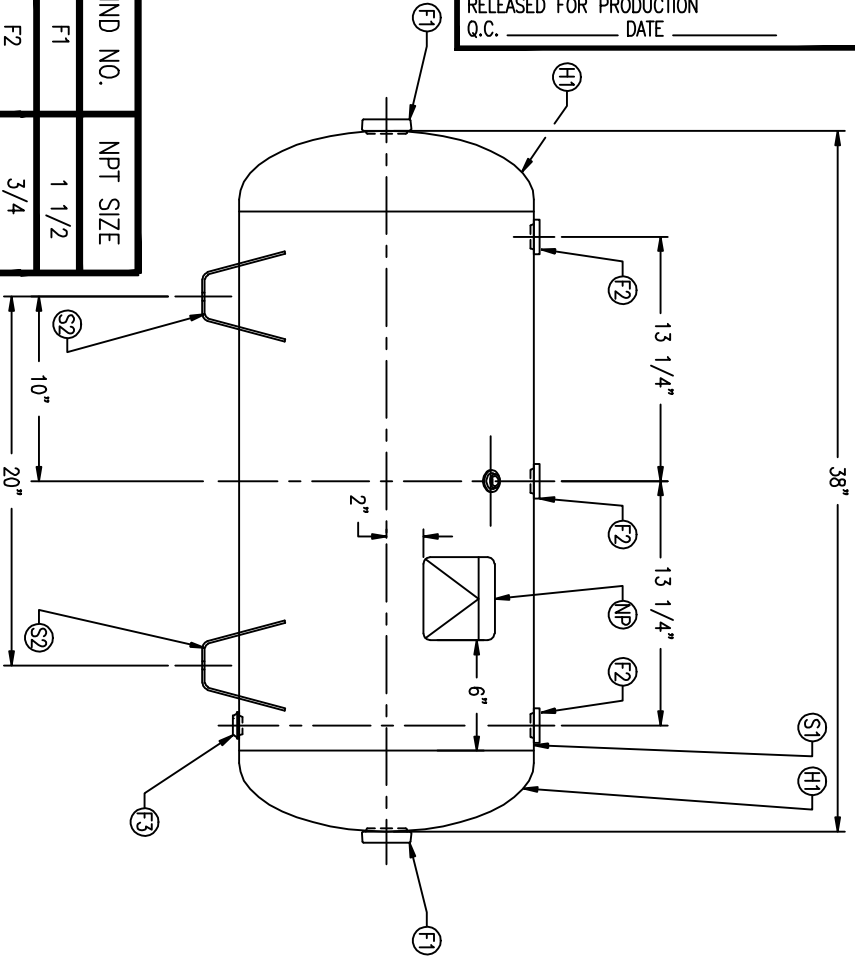


CODE/ADDENDA 2004/2006 APPROVED KM
 RELEASED FOR PRODUCTION
 Q.C. _____ DATE _____



FIND NO.	NPT SIZE
F1	1 1/2
F2	3/4
F3	1/2
F4	1/4

SYMBOL	DATE	BY	REVISION

APPROVED	DATE	REV.

NOTES

SPECIFICATIONS
 O.D. 16 LGTH. 38
 MAWP 200 PSI @ 650 F
 GRN F2151.1C

GAL. 30 S.A. 14.1
 WT. 89# CU.FT. 4.0
 CODE: ASME SEC. VIII DIV. I,
 LATEST EDITION & ADDENDA
 WELD DETAILS: M-1932
 STD. TOLERANCES (UNLESS OTHERWISE NOTED): M-2461

HORIZONTAL AIR RECEIVER

MANCHESTER

SCALE: NONE
 DRAWING NO. 302469

DATE _____
 DATE _____