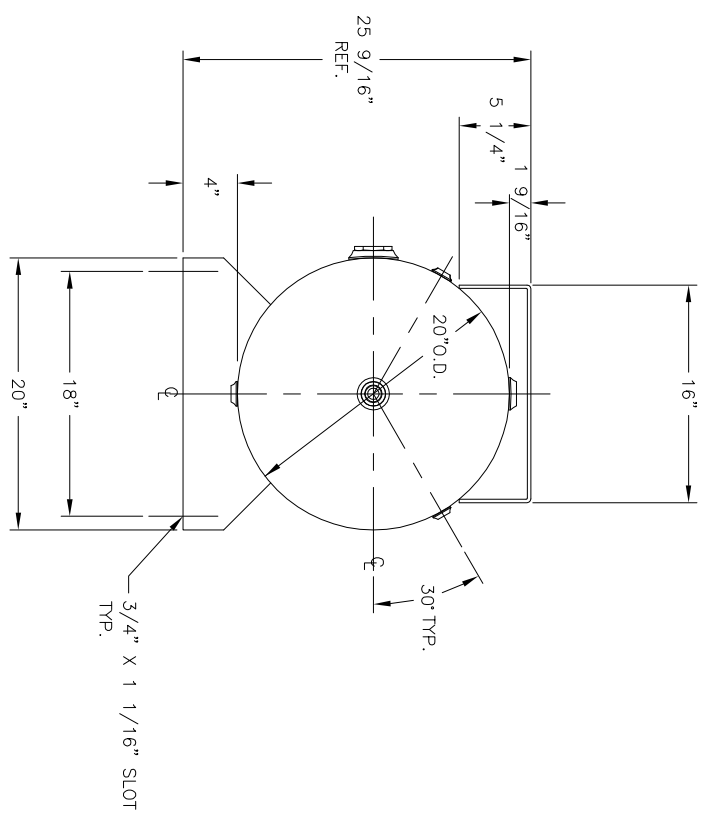
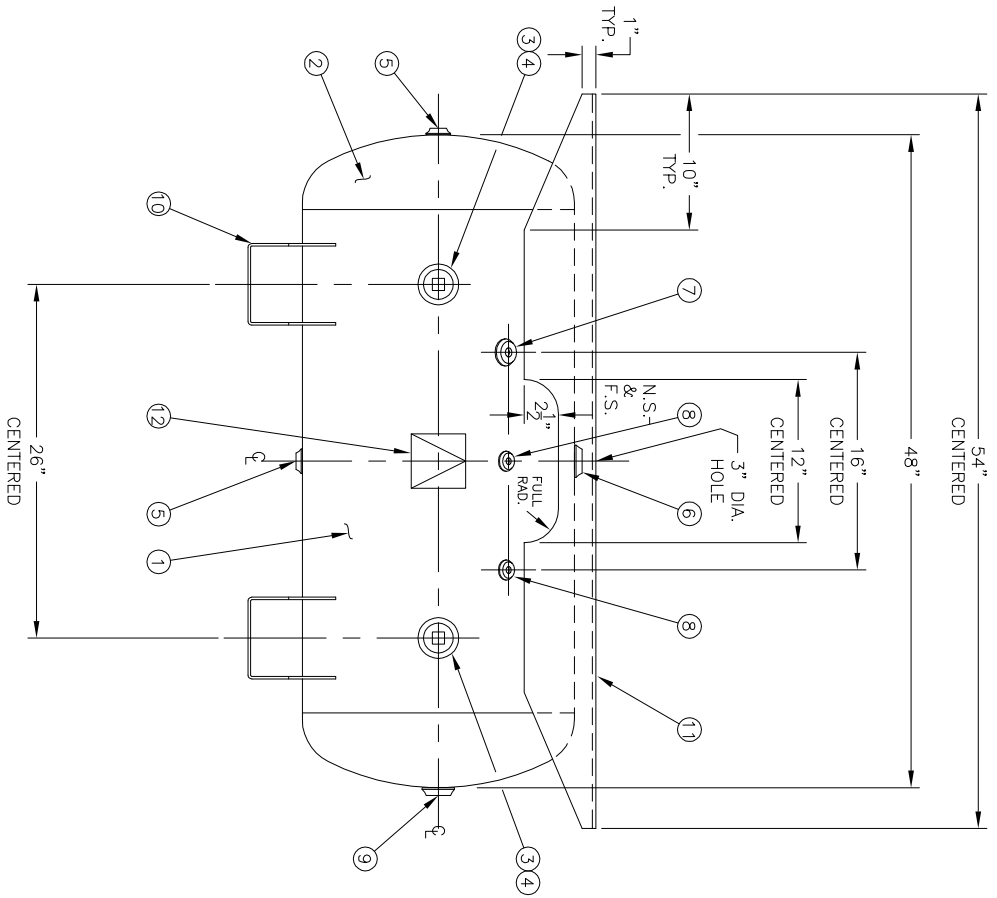


NO. QTY	DESCRIPTION	SPEC	SUB-DWG.
1	1		
2	2		
3	2"-NPT 1500# RADIAL FLANGE	SA-181-70	
4	2"-NPS PLUG		
5	1/2"-NPT 1500# FLAT FLANGE	SA-181-70	
6	1"-NPT 1500# RADIAL FLANGE	SA-181-70	
7	3/8"-NPT 1500# FLAT FLANGE	SA-181-70	
8	1/4"-NPT 1500# FLAT FLANGE	SA-181-70	
9	1"-NPT 1500# FLAT FLANGE	SA-181-70	
10	STANDARD SADDLE FOR 20" DIA. TANK		AS4492
11	1/4" X 25 1/2" X 54" PLATFORM	C1008	
12	1 ASME DATA PLATE	C1010	



SYMBOL	DATE	BY	REVISION	APP	NOTES



60 GALLON

STD. HORIZ. W/EXTENDED PLATFORM

CRN F0516.1C	CODE: ASME SEC.VIII DIV. 1	DRAWN BY	DATE	SCALE: NONE
WELD DETAILS: M-1932	LATEST EDITION & ADDENDA	APP. BY	DATE	DRAWING NO.
STD. TOLERANCES (UNLESS OTHERWISE NOTED): M-2461				302693

O.D. 20	LGTH. 48
MAWP 200	PSI @ 650 °F
WT. 240	GAL. 60