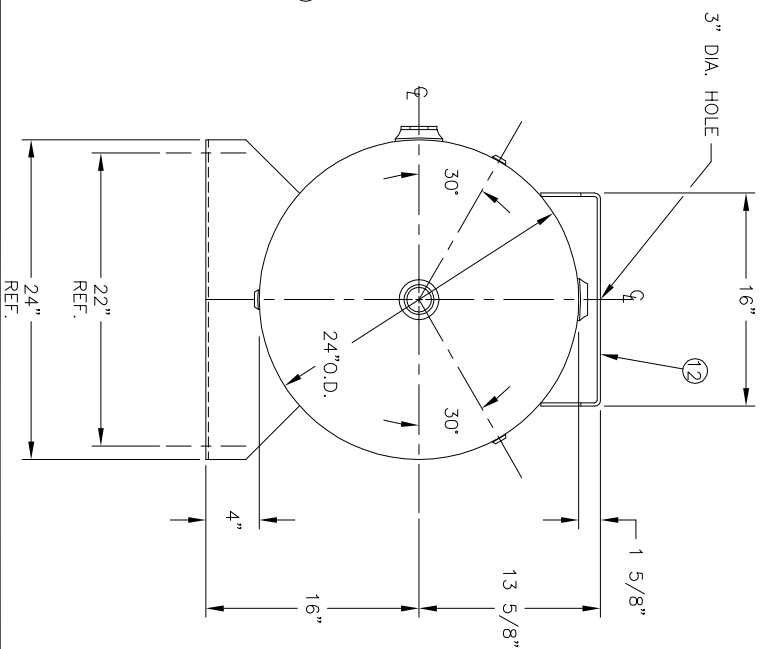
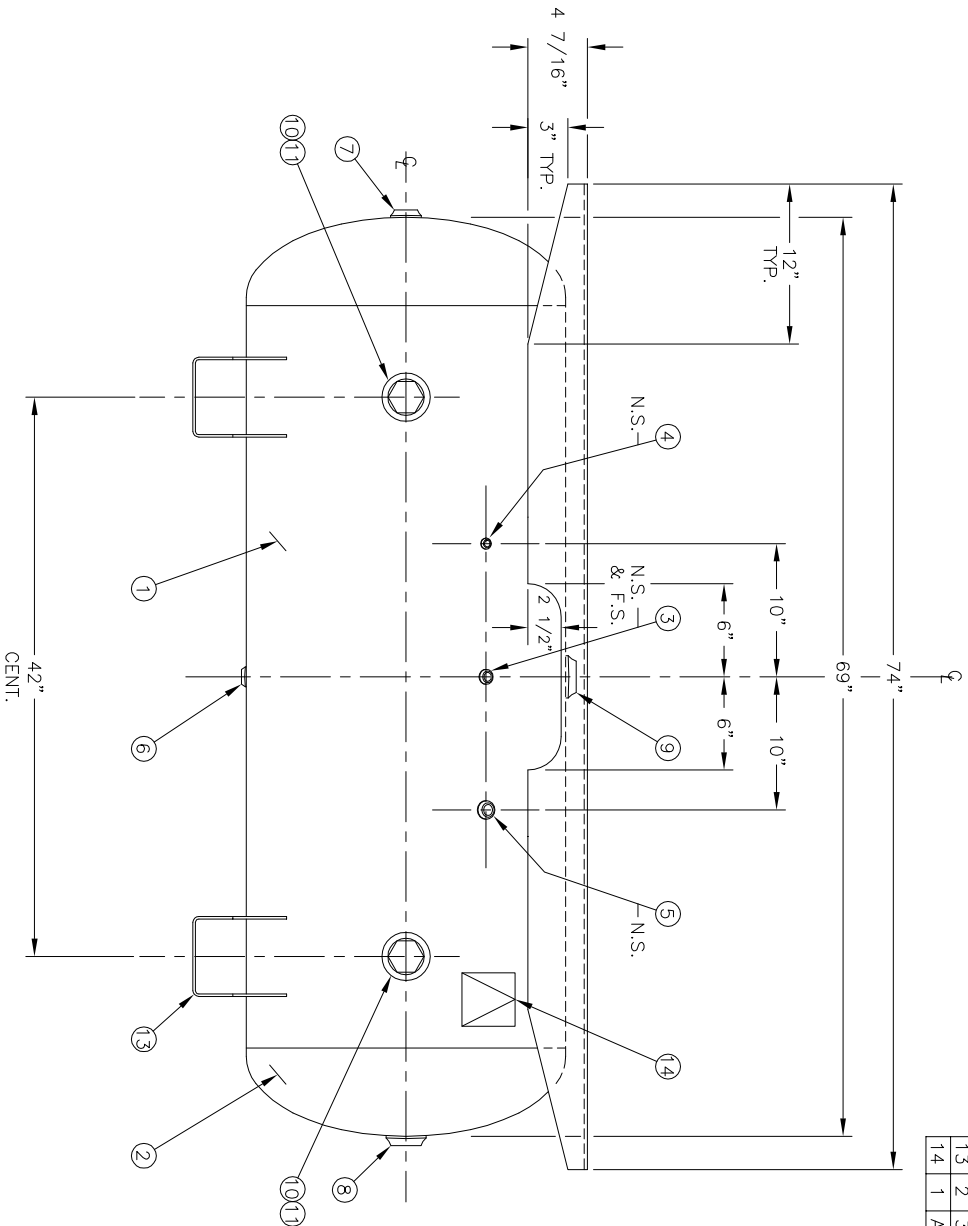


NO. QTY.	DESCRIPTION	SPEC	SUB-DWG.
1 1		SA-414-G	
2 2		SA-414-G	
3 2	1/4" NPT 1500# FLAT FLANGE	SA-181-70	
4 1	3/8" NPT 1500# FLAT FLANGE	SA-181-70	
5 1	1/2" NPT 1500# FLAT FLANGE	SA-181-70	
6 1	3/4" NPT 1500# RADIAL FLANGE	SA-181-70	
7 1	1" NPT 1500# FLAT FLANGE	SA-181-70	
8 1	1 1/2" NPT 1500# FLAT FLANGE	SA-181-70	
9 1	1 1/2" NPT 1500# RADIAL FLANGE	SA-181-70	
10 2	2" NPT 1500# RADIAL FLANGE	SA-181-70	
11 2	2" NPS PLUG		
12 1	1/4" X 23 15/16" X 74" PLATFORM	C1008	
13 2	3/16" X 19 3/4" X 24" SADDLES		A84529
14 1	ASME DATA PLATE	C1010	



SWM	DATE	BY	REVISION	App	NOTES	SPECIFICATIONS
						O.D. 24 LGH. 69 MAMP 200 PSI @ 650 F GRN. F0627.1C WELD DETAILS: M-1932 STD. TOLERANCES (UNLESS OTHERWISE NOTED): M-2461 QAL 120 WT. 475 CODE: ASME SEC. VIII DIV. 1 LATEST EDITION & ADDENDA



120 GALLON  
 STD. HORIZ. W/EXTENDED PLATFORM

DRAWN BY	DATE	SCALE	NONE
APP. BY	DATE	DRAWING NO.	302700