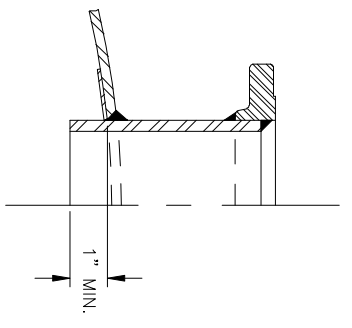
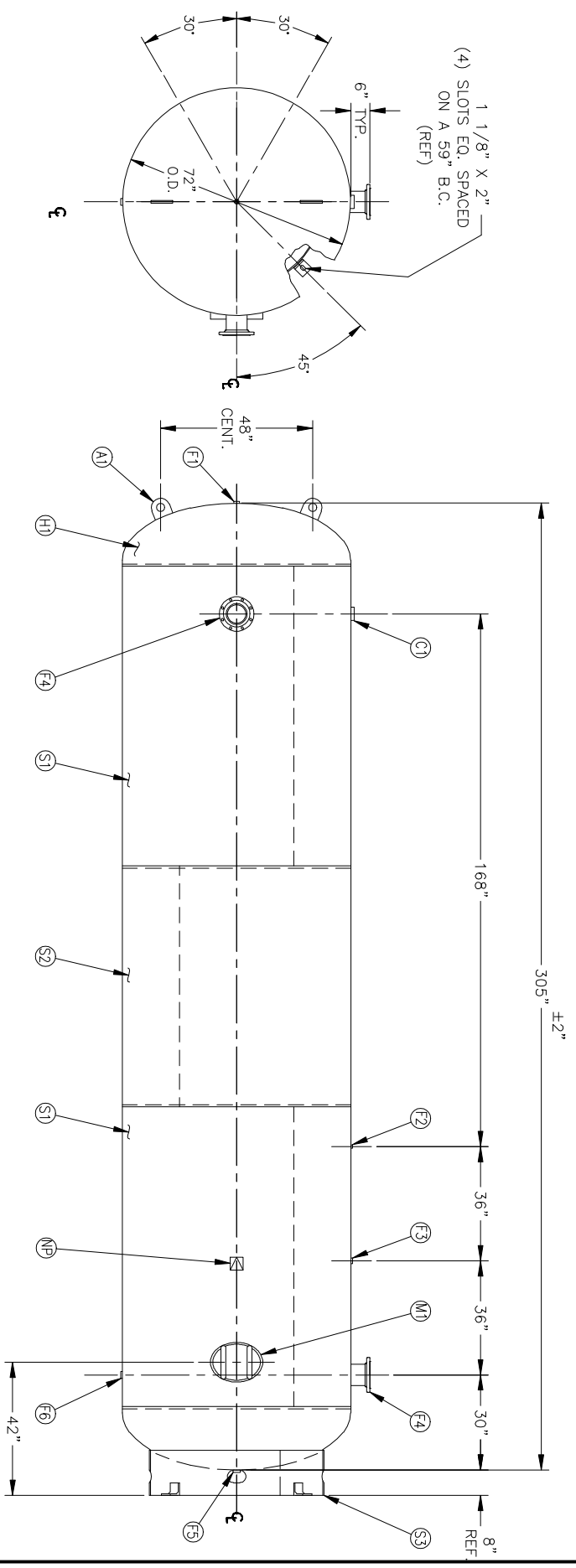


MANWAY DETAIL



NOZZLE DETAIL

NO. QTY.	DESCRIPTION	SPEC	SUB-DWG.
S1 2			
S2 1			
H1 2			
C1 1	3"-NPT 3000# HALF COUPLING	SA-105	
F1 1	1"-NPT 1500# FLAT FLANGE	SA-181-70	
F2 1	1/4"-NPT 1500# FLAT FLANGE	SA-181-70	
F3 1	1"-NPT 1500# RADIAL FLANGE	SA-181-70	
F4 2	6" 150# ANSI RF.SO. FLANGE	SA-105	
F4 2	6" SCH.80 PIPE X 7 1/2" LONG	SA-106-B	
F4 2	.134 X 8 5/8" O.D. X 6 5/8" I.D. BACKING RING	C1008	
F5 1	1 1/4"-NPT 1500# FLAT FLANGE	SA-181-70	
F6 1	1 1/4"-NPT 1500# RADIAL FLANGE	SA-181-70	
M1 1	12" X 16" X 3/4" X 4" 300# MANWAY	SA-675-70	
A1 2	1" X 6" X 6" STANDARD LIFT LUG		
S3 1	STANDARD 8" SKIRT & CLIP ASSY. FOR 72" DIA. TANK		
NP 1	ASME DATA PLATE	C1010	



SYM	DATE	BY	REVISION	APP	XREF	REV.	NOTES	SPECIFICATIONS
								O.D. 72" LGTH. 228" WAMP 165 PSI @ 450 F. GAL. 5000 WT. 8500# CORR. ALW. --- SH --- HD CODE ASME SECT.VIII, DIV.1 PER DATE OF DWG/LAST REV. WELD DETAILS: M-1932 STD. TOLERANCES (UNLESS OTHERWISE NOTED): M-2461
								72" X 305" VERTICAL STANDARD AIR RECEIVER
DRAWN BY	DATE	SCALE:	NONE	APP.	BY	DATE	DRAWING NO.	305653