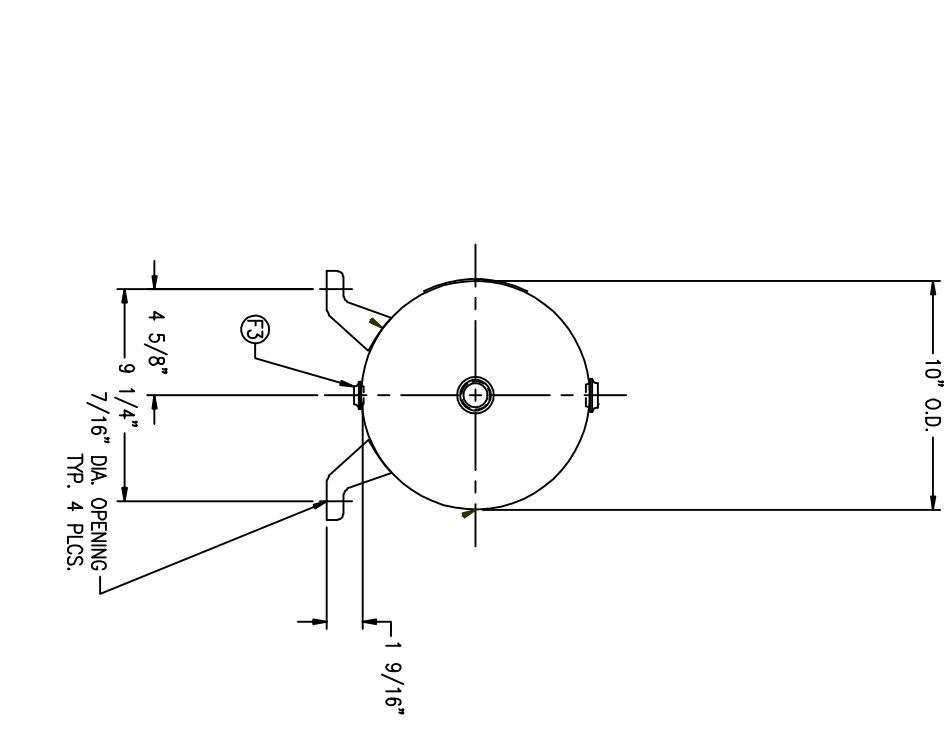
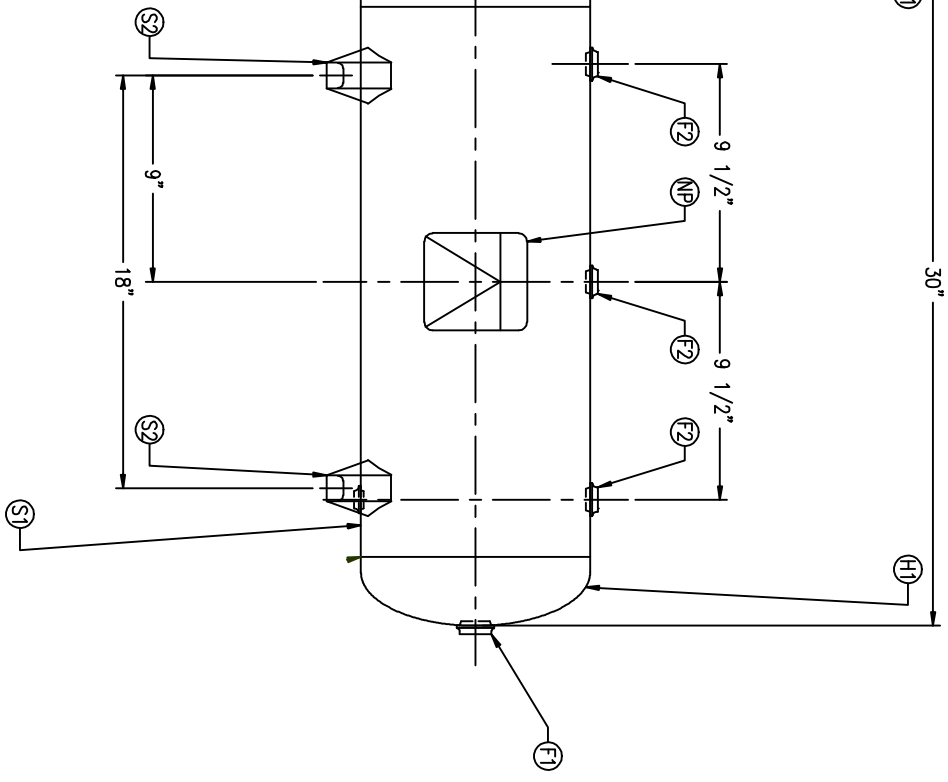


CODE/ADDENDA 2004/- APPROVED JR
 RELEASED FOR PRODUCTION
 Q.C. _____ DATE _____

FIND NO.	NPT SIZE
F1	3/4
F2	1/2
F3	1/4



SYM.	DATE BY	REVISION	APPR.	REF. REV.	NOTES	SPECIFICATIONS
				C1009 A C1011		O.D. 10 LGTH. 30 MAWP 200 PSI @ 650 F GRN F2150.1C WELD DETAILS: M-1932 STD. TOLERANCES (UNLESS OTHERWISE NOTED): M-2461 GAL. 10 S.A. 6.9 WT. 32# CU.FT. 1.2 CODE: ASME SEC. VIII DIV. 1 LATEST EDITION & ADDENDA



Q:\3000\

HORIZONTAL AIR RECEIVER

DRAWN BY	DATE	SCALE: NONE
APP. BY	DATE	DRAWING NO. 302460