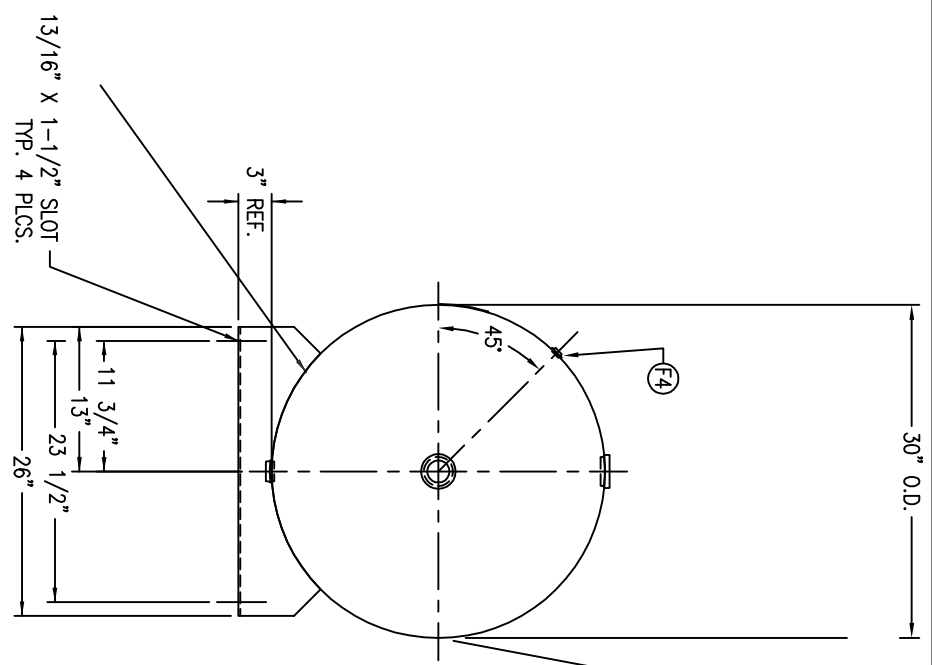
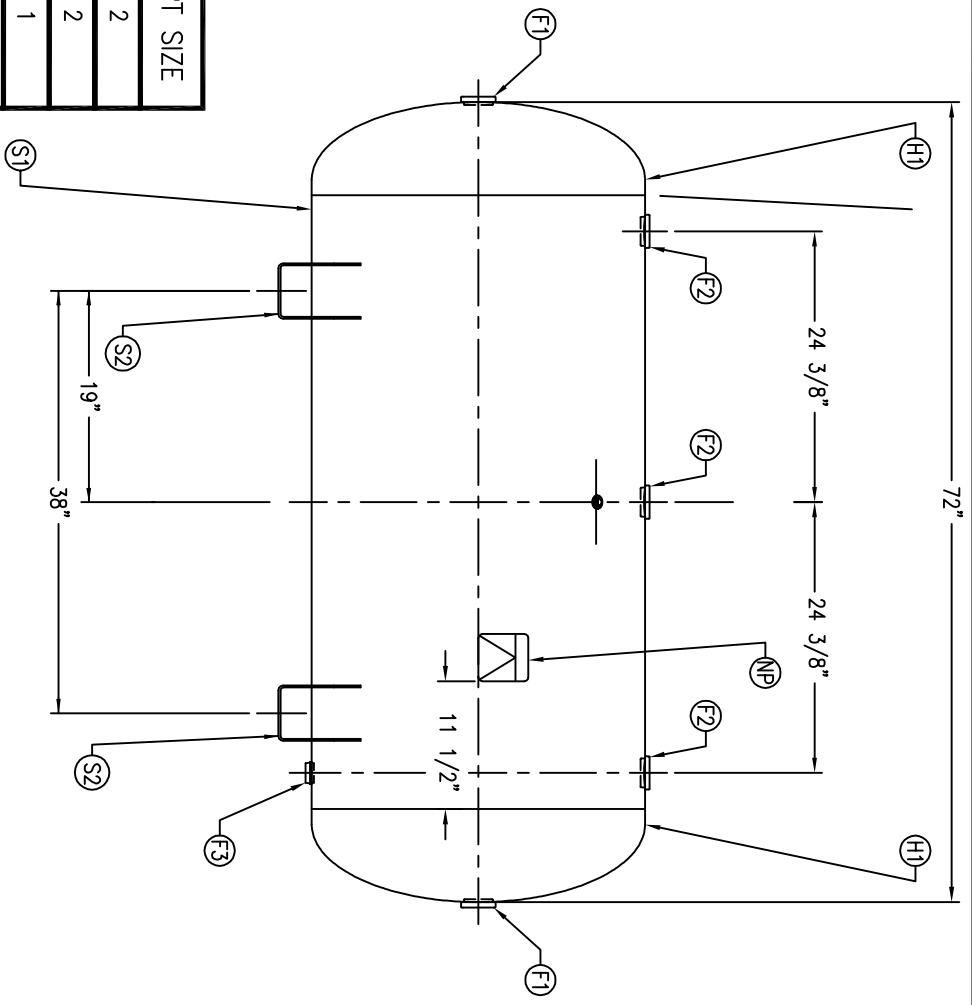


CODE/ADDENDA 2004/- APPROVED JR
 RELEASED FOR PRODUCTION
 Q.C. _____ DATE _____

FIND NO.	NPT SIZE
F1	2
F2	2
F3	1
F4	1/4



SWM	DATE	BY	REVISION	APP	XREF	REV.	NOTES	SPECIFICATIONS

O.D. 30		LGTH. 72		MAMP 200		PSI @ 650 F		GAL. 200		S.A. 50.0		WT. 538#		CU.FT. 26.5	
CRN F0628.1C		WELD DETAILS: M-1932		STD. TOLERANCES (UNLESS OTHERWISE NOTED): M-2461		CODE: ASME SEC. VIII DIV. I, LATEST EDITION & ADDENDA		DRAWN BY		DATE		SCALE: NONE		DRAWING NO. 302482	

HORIZONTAL AIR RECEIVER



H:\3000\