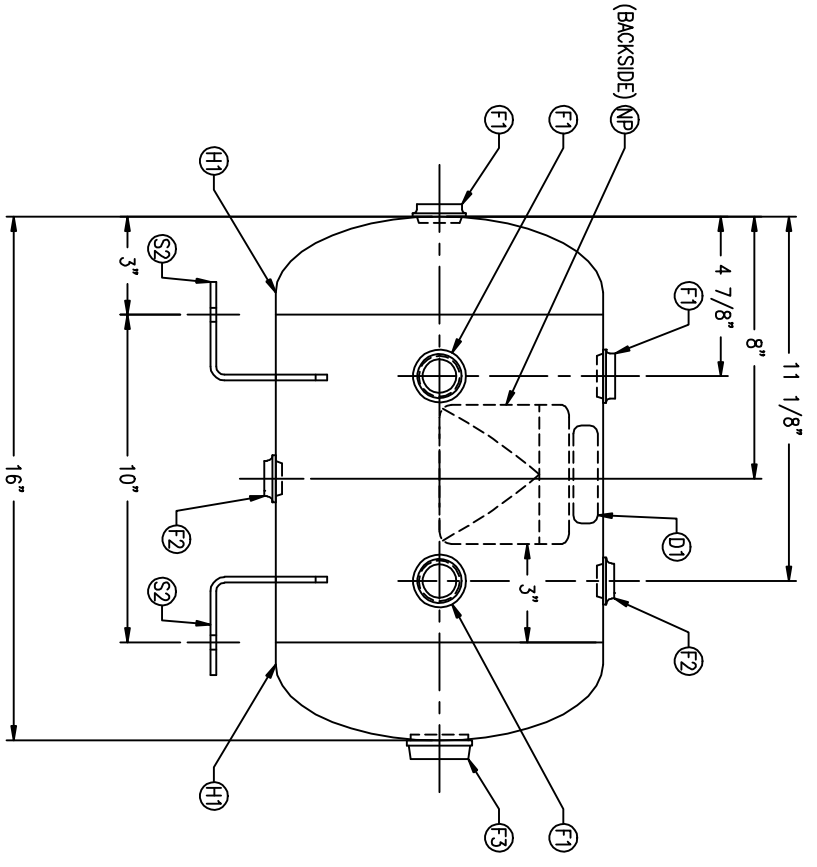
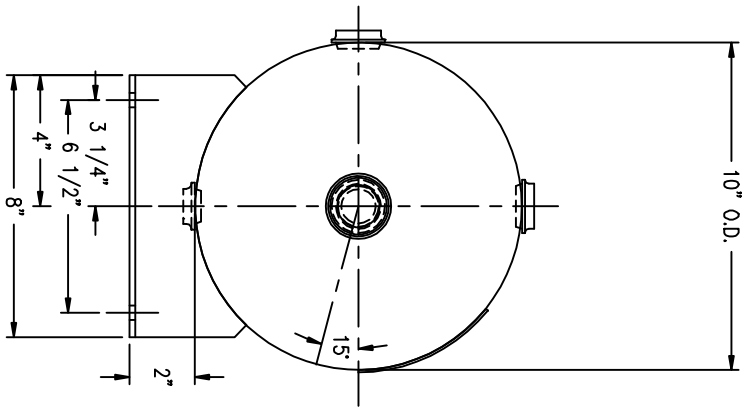


CODE/ADDENDA 2004/2006 APPROVED KM  
 RELEASED FOR PRODUCTION  
 Q.C. \_\_\_\_\_ DATE \_\_\_\_\_



FIND NO.	NPT SIZE
F1	3/4
F2	1/2
F3	1



SYMBOL	DATE	BY	REVISION	APP	XREF	REV.
					C1021	A

NOTES  
 1. ALL PLUGS TO BE LOOSEMED TO HAND TIGHT PLUS ONE HALF-TURN PRIOR TO SHIPMENT.

O.D. 10 LGTH. 16  
 MAWP 200 PSI @ 650 F  
 CRN F2150.1C  
 WELD DETAILS: M-1932  
 STD. TOLERANCES (UNLESS OTHERWISE NOTED): M-2461  
 GAL. 4.6 S.A. 3.8  
 WT. 23# CU.FT. .62  
 CODE: ASME SEC. VIII DIV. 1  
 LATEST EDITION & ADDENDA



\\CORP2\DMG\304

# HORIZONTAL AIR RECEIVER

DRAWN BY	DATE	SCALE: NONE
APP. BY	DATE	DRAWING NO. 304932