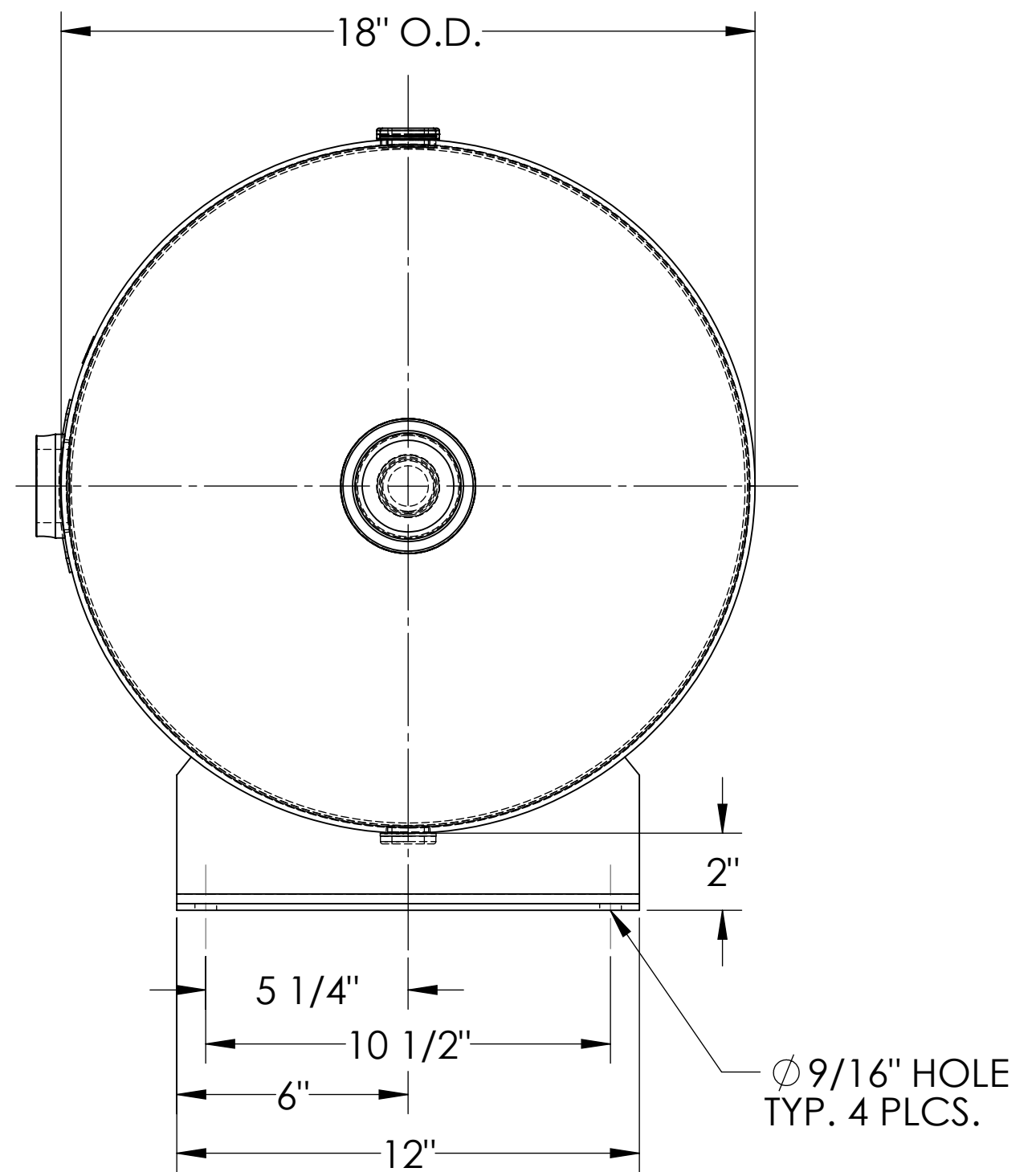
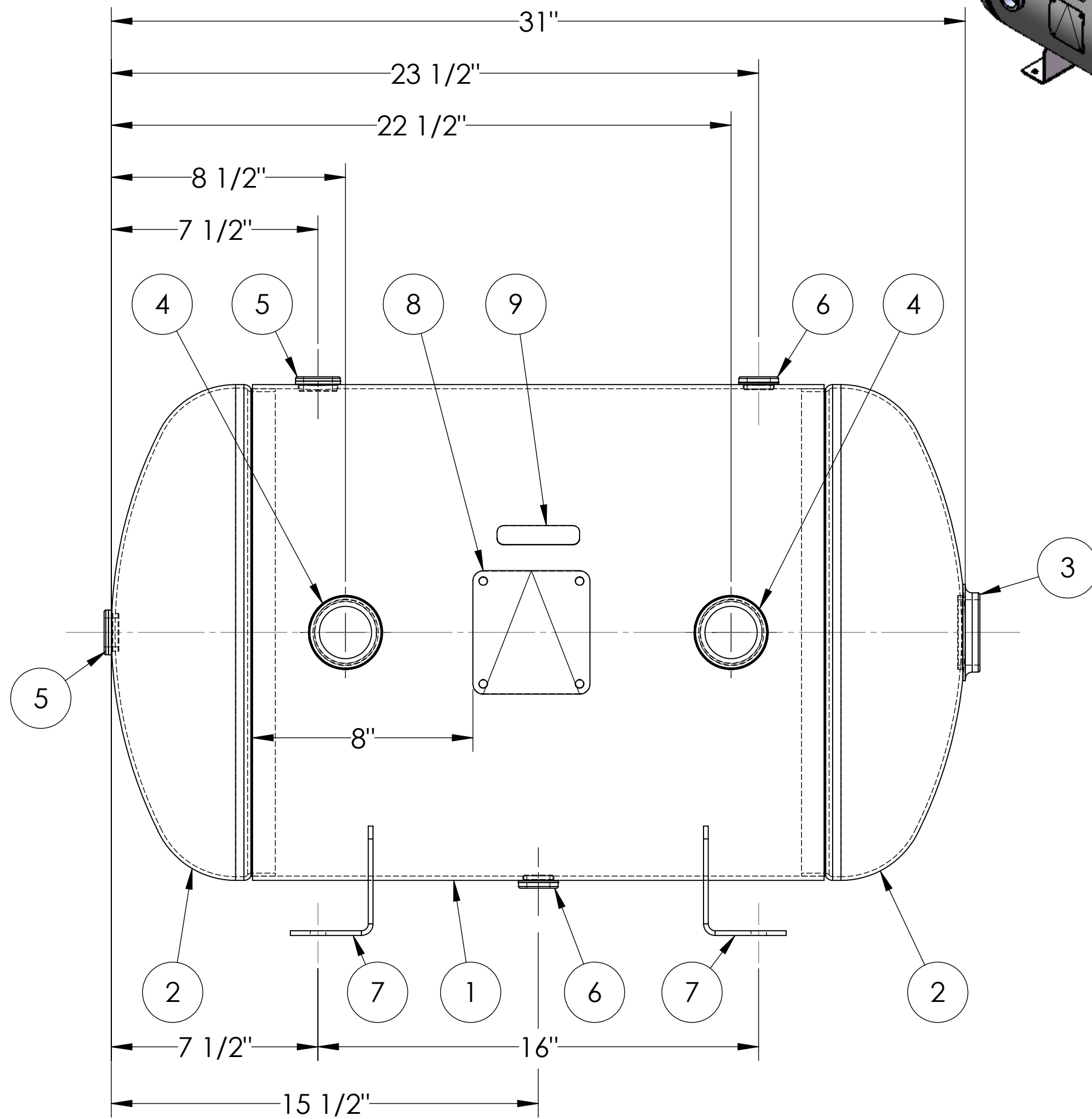
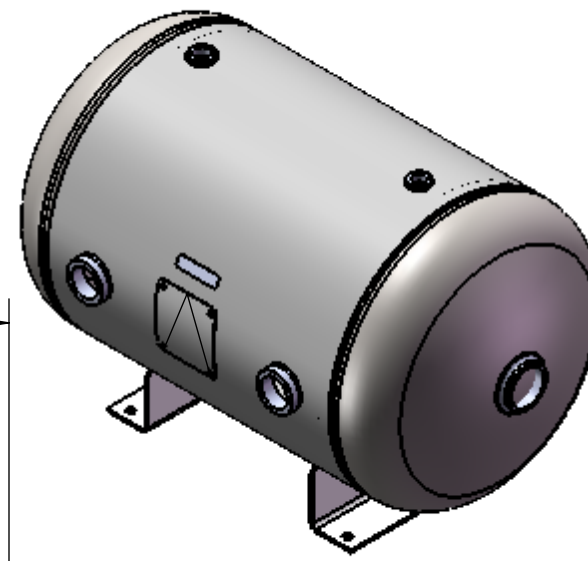


ITEM NO.	PART NO.	DESCRIPTION	QTY.
1	304946-SL	SHELL LAYOUT FOR 18" TANK	1
2	H43481	.130 MIN. 18" O.D. 2:1 ELLIP. JOG. HEAD	2
3	F10440	2"-NPT FLAT FLANGE	1
4	F30317	1 1/2"-NPT RADIAL FLANGE O-RING	2
5	F31840	3/4"-NPT FLAT FLANGE	2
6	F10250	1/2"-NPT FLAT FLANGE	2
7	A84500	BRACKET 7GA X 3" X 12" W/4" LEG	2
8	A20910	ASME DATA PLATE	1
9	S36195	DECAL 1X3 CAUTION TIGHTEN	1



NOTES:
1. ALL PLUGS TO BE LOOSENED TO HAND TIGHT PLUS ONE HALF TURN PRIOR TO SHIPMENT.

SPECIFICATIONS	
O.D. 18 LGTH. 31	MAWP 200 PSI @ 400°F
WT. 97 LBS.	
S.A. 13.2 SQ.FT.	
GAL. 30 CU.FT.4	CRN: H8753.5C
CODE: ASME Section VIII, Div.1 LATEST EDITION	EXMT UG20(f) CORR ALW 0 SH 0 HD
STD. TOLERANCES: M-2461 (UNLESS OTHERWISE NOTED)	WELD DETAILS: M-1932



HORIZONTAL AIR RECEIVER

FILE LOCATION: O:\SolidWorks\3000\304946

DRAWN BY:	DATE:
APPR. BY:	DATE:
SCALE: NONE	DRWG NO. 304946

RELEASED FOR PRODUCTION	
Q.C. _____ DATE _____	

REVISIONS			
REV.	BY	DESCRIPTION	DATE
A	EGB		
B	NS		
C	MK		