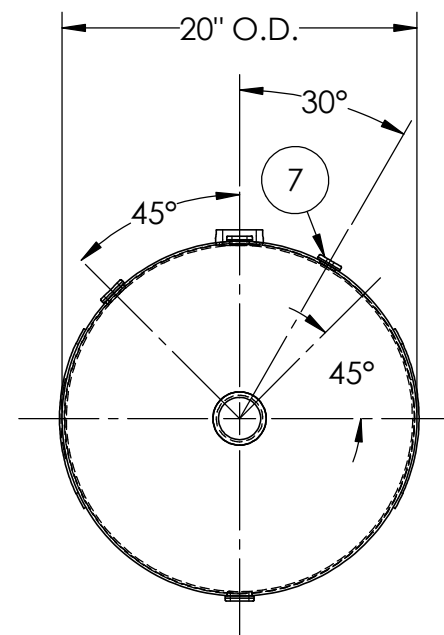
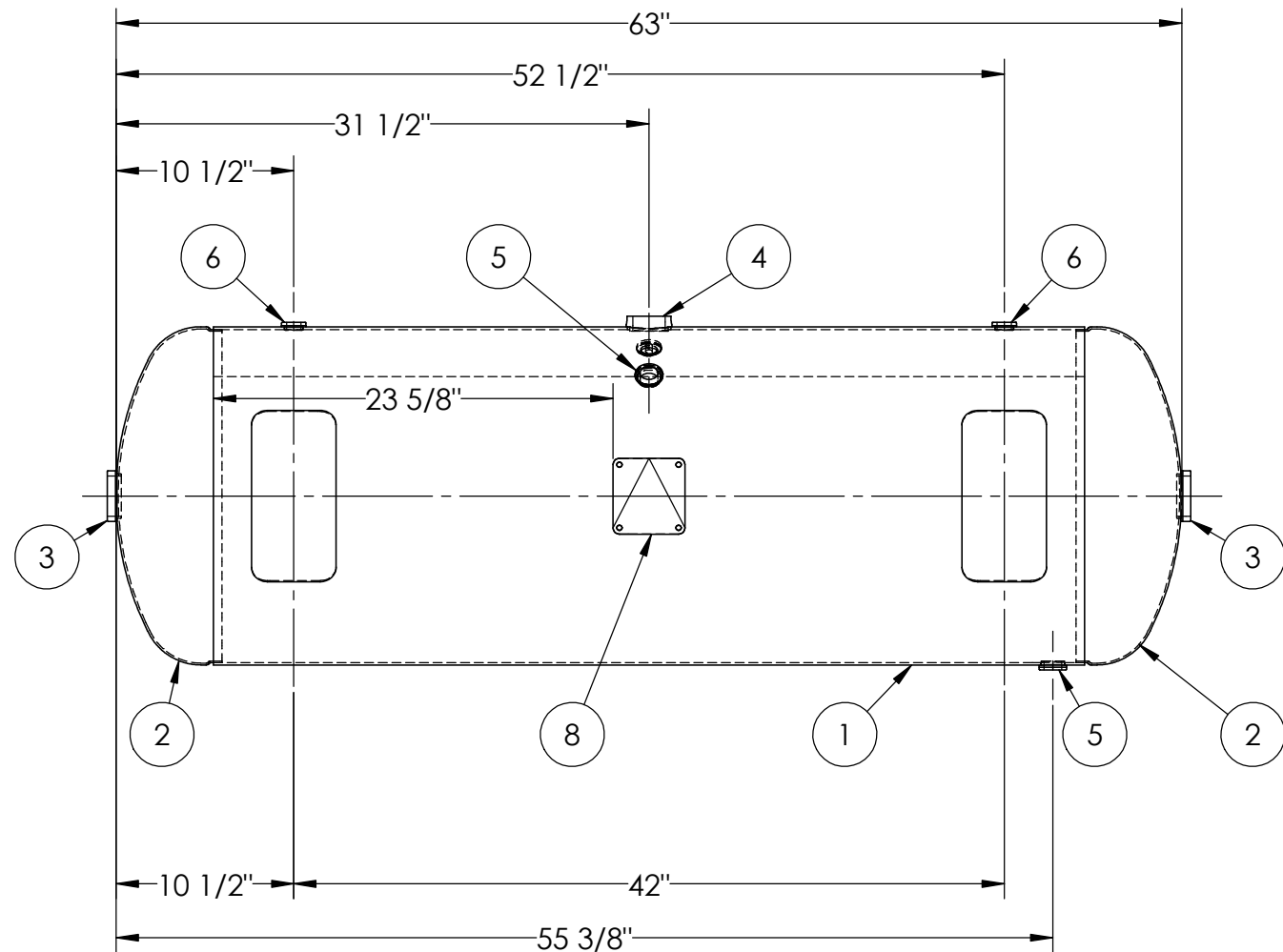


ITEM NO.	PART NO.	DESCRIPTION	QTY.
1	305440-SL	SHELL LAYOUT FOR 20" TANK	1
2	H32021	.124 MIN. 20" O.D. 2:1 ELLIP. JOG. HEAD	2
3	F30316	2"-NPT FLAT FLANGE O-RING	2
4	F30317	1 1/2"-NPT RADIAL FLANGE O-RING	1
5	F31840	3/4"-NPT FLAT FLANGE	2
6	F10250	1/2"-NPT FLAT FLANGE	2
7	F33310	1/8"-NPT FLAT FLANGE	1
8	A20910	ASME DATA PLATE	1
9	A98377	LEG ASY	2
10	A99436	10GA PAD	4



SHEET 1 OF 2

NOTES:

SPECIFICATIONS

O.D. 20 LGTH. 63 MAWP 200 PSI @ 400°F
 WT. 280 LBS.
 S.A. 28.8 SQ.FT.
 GAL. 80 CU.FT.10.5 CRN: F0516.1C
 CODE: ASME Section VIII, Div.1, LATEST EDITION EXMT UG-20(f) CORR ALW 0 SH 0 HD
 STD. TOLERANCES: M-2461 (UNLESS OTHERWISE NOTED) WELD DETAILS: M-1932



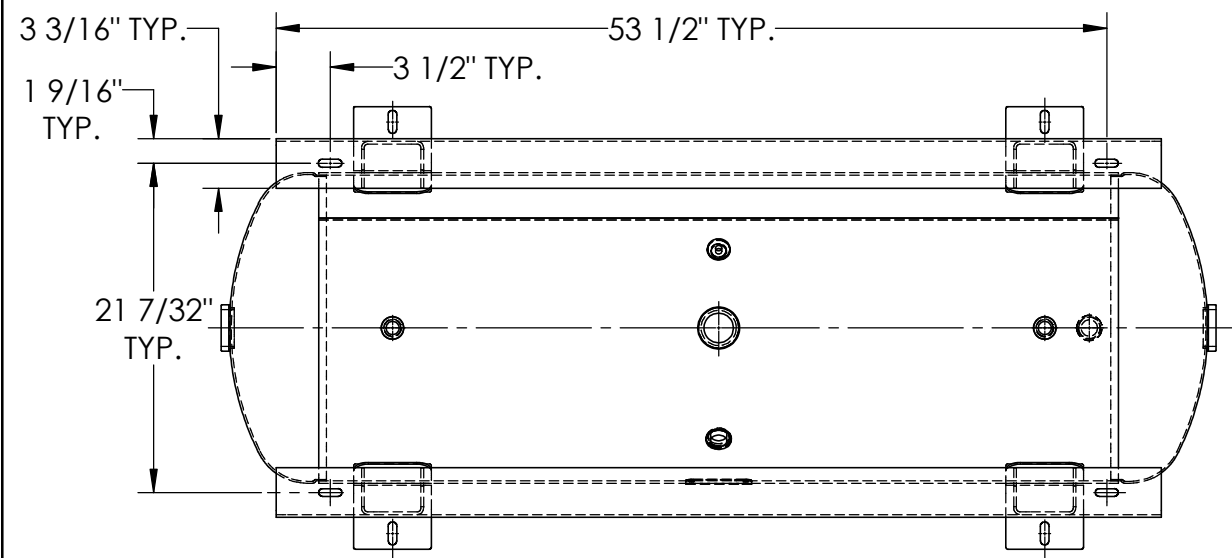
HORIZONTAL AIR RECEIVER

DRAWN BY:	JR	DATE:	
APPR. BY:	JR	DATE:	
SCALE:	NONE	DRWG NO.	305440

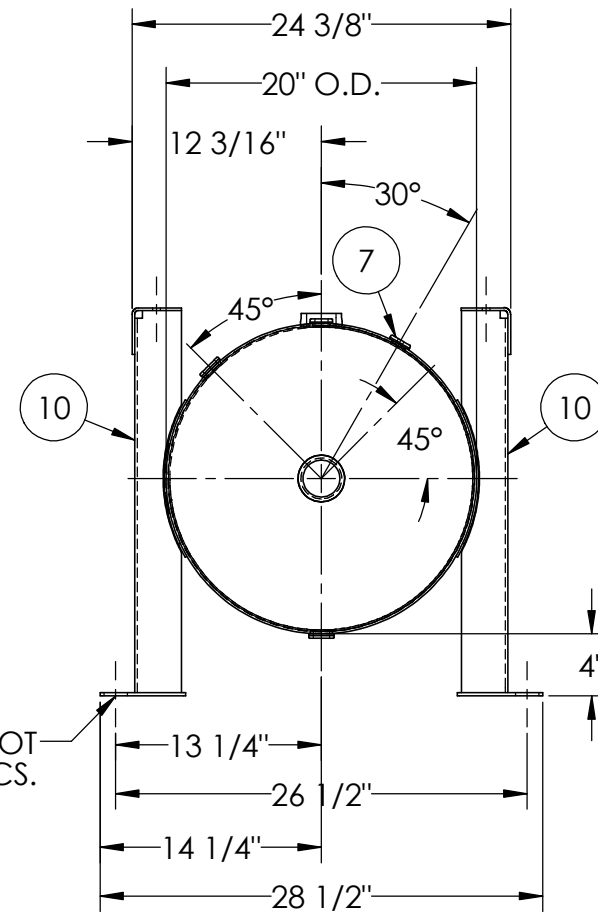
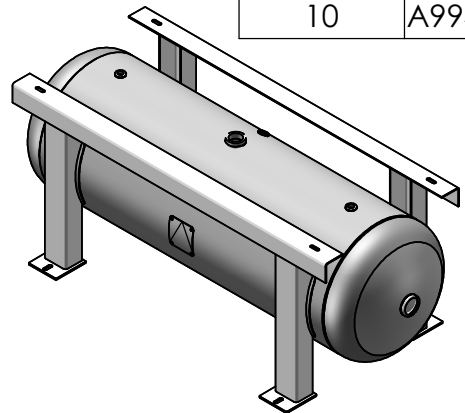
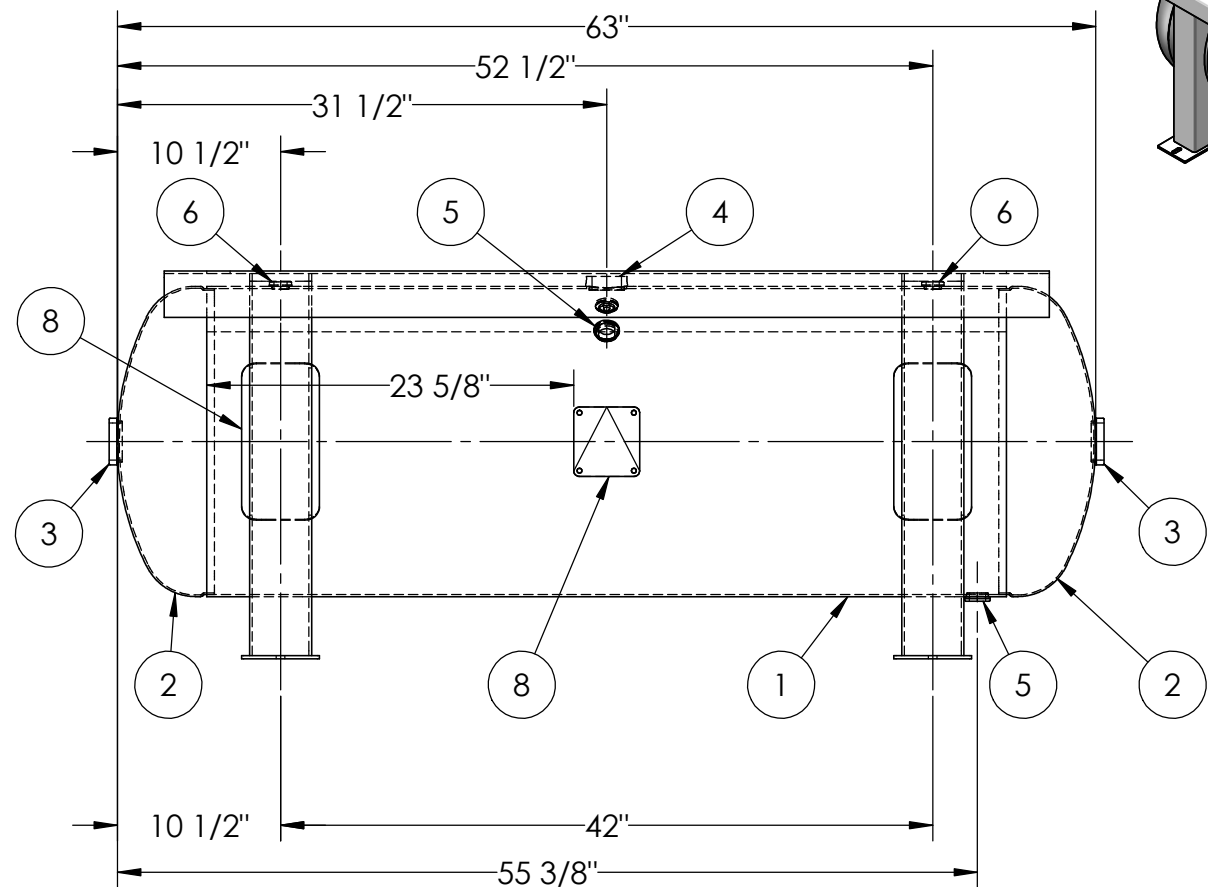
RELEASED FOR PRODUCTION
 Q.C. _____ DATE _____



REVISIONS			
REV.	BY	DESCRIPTION	DATE
A	BC		
B	RK		



ITEM NO.	PART NO.	DESCRIPTION	QTY.
1	305440-SL	SHELL LAYOUT FOR 20" TANK	1
2	H32021	.124 MIN. 20" O.D. 2:1 ELLIP. JOG. HEAD	2
3	F30316	2"-NPT FLAT FLANGE O-RING	2
4	F30317	1 1/2"-NPT RADIAL FLANGE O-RING	1
5	F31840	3/4"-NPT FLAT FLANGE	2
6	F10250	1/2"-NPT FLAT FLANGE	2
7	F33310	1/8"-NPT FLAT FLANGE	1
8	A20910	ASME DATA PLATE	1
9	A98377	LEG ASY	2
10	A99436	10GA PAD	4



9/16" X 1 1/2" SLOT
TYP. 4 PLCS.

SHEET 2 OF 2

NOTES:

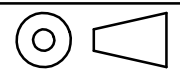
SPECIFICATIONS

O.D. 20 LGTH. 63 MAWP 200 PSI @ 400°F
 WT. 280 LBS.
 S.A. 28.8 SQ.FT.
 GAL. 80 CU.FT.10.5 CRN: F0516.1C
 CODE: ASME Section VIII, Div.1, LATEST EDITION EXMT UG-20(f) CORR ALW 0 SH 0 HD
 STD. TOLERANCES: M-2461 (UNLESS OTHERWISE NOTED) WELD DETAILS: M-1932



HORIZONTAL AIR RECEIVER

RELEASED FOR PRODUCTION
Q.C. _____ DATE _____



REVISIONS				
REV.	BY	DESCRIPTION	DATE	APP.
A	BC			BC
B	RK			MK

DRAWN BY: JR
 APPR. BY: JR
 SCALE: NONE

DATE:
 DATE:
 DRWG NO.
305440